

ALL-NATION LINE

INSTRUCTIONS FOR

Old Timer

DETAILING KIT

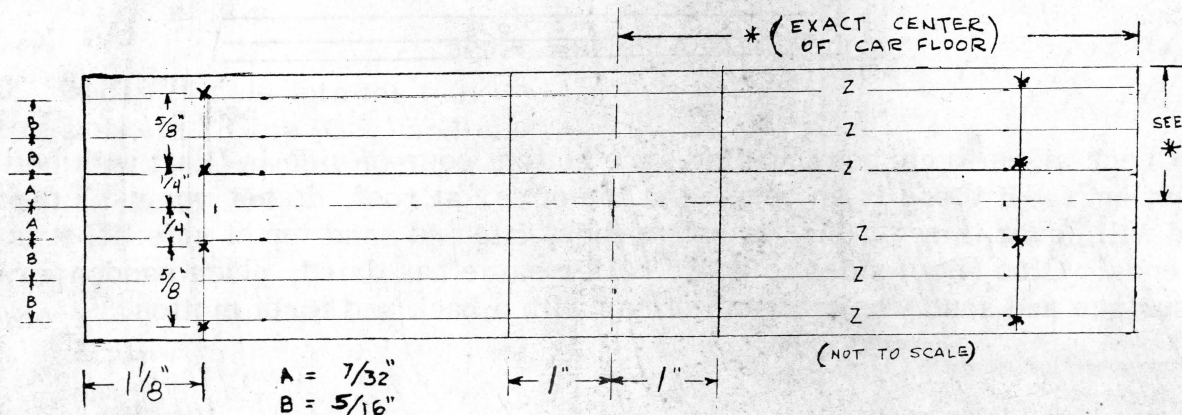
#3067



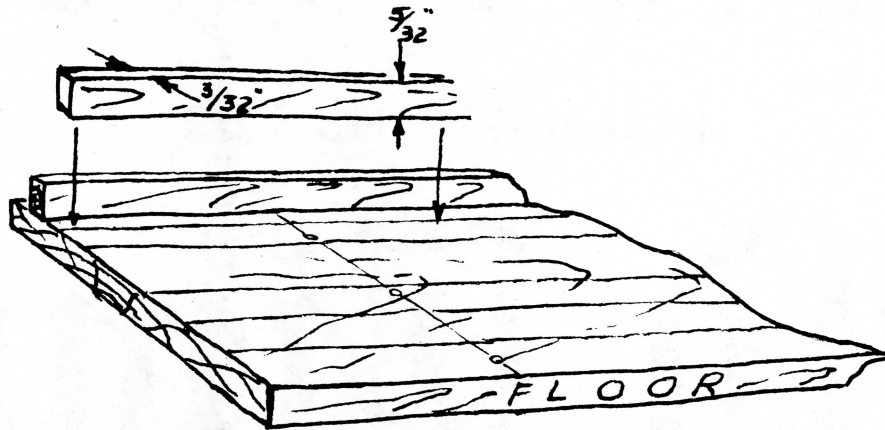
Includes all necessary parts to make our refrigerator cars to look, as they were originally built in the early 1900's.

Prior to assembly of your reefer car, it is advisable to follow these instructions first.

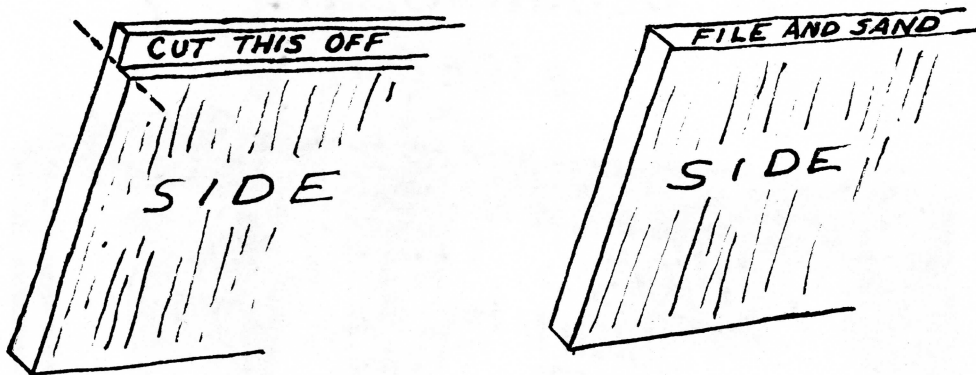
#1. Mark floor as shown. Drill 8 holes with a #76 drill shown by X's.



#2. Cut six $\frac{3}{32}$ " x $\frac{5}{32}$ " strips the length of floor and glue on lines marked 'Z'.

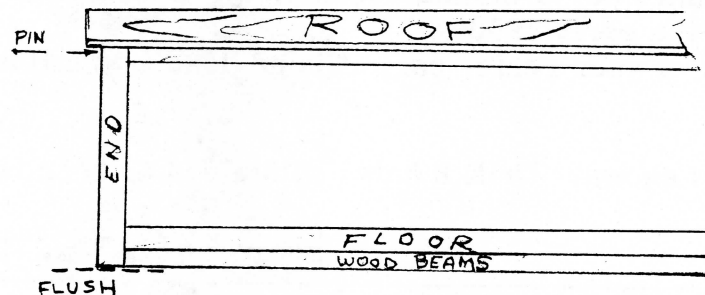


#3. Cut bottom edge of car sides as shown. File and sand flat.



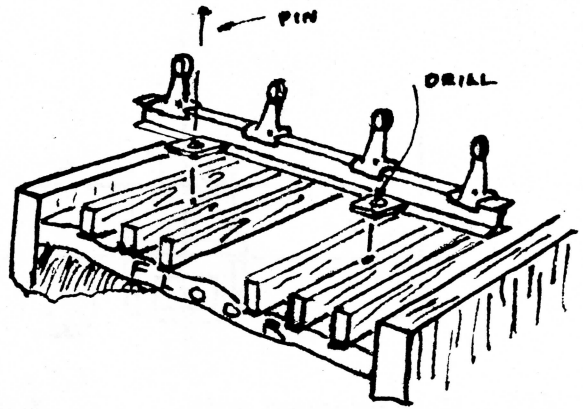
#4. File and sand ends of floor with strips, so that strips do not protrude. Check floor with bottom side of roof for length, trim roof if necessary on bottom side only. Glue (Goo) two halves of roof together.

#5. Glue (Goo) ends to roof and pin as shown. Add floor so that the bottom of strip is flush with bottom of ends and glue (Goo).

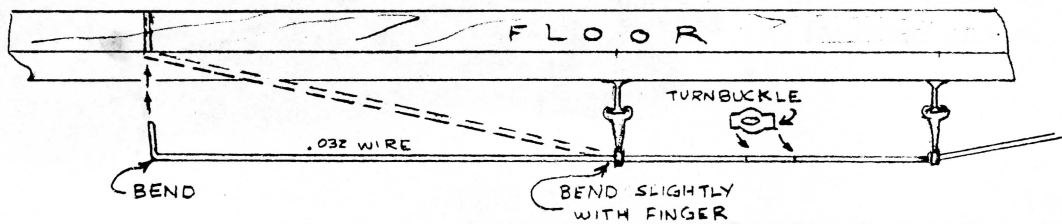


#6. Check sides to carbody making sure bottom edge of side is flush with bottom edge of ends. If there is an opening at top of car at roof, do not worry as the fascia board will cover this. If side is below ends, file and sand top of side till it is flush with ends. Glue (Goo) sides to body. After same has dried, place sandpaper on a flat surface and sand whole bottom of car with a back and forth motion.

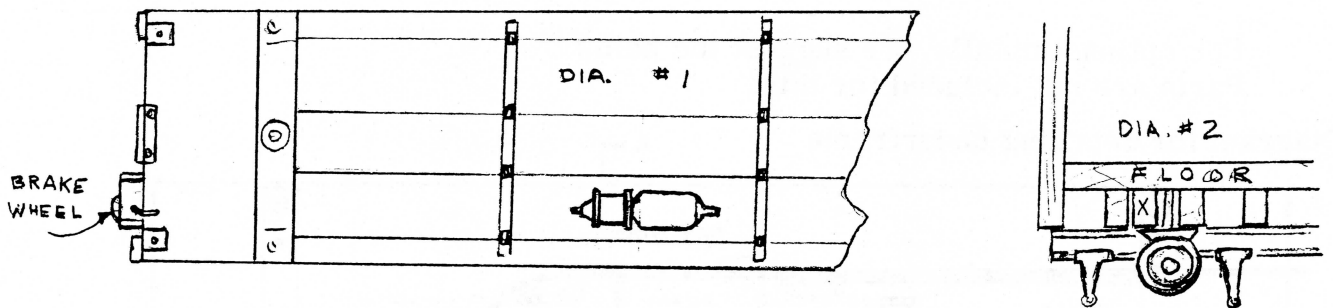
#7. Drill #76 hole in lugs on both sides of queenposts. Goo on the lines as shown in Fig. #1 and pin down.



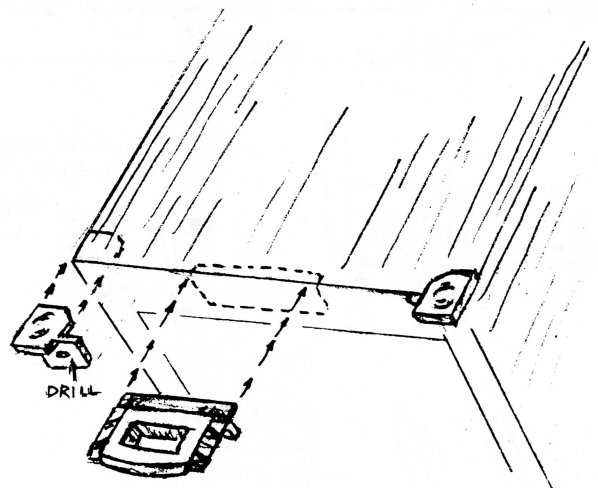
#8. Slide four .032 wire thru queenposts and bend as shown with bend ends forced into holes drilled in floor at bolster lines. Glue (Goo) turnbuckle in place. Glue (Goo) and screw bolster (3027) in place.



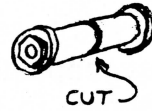
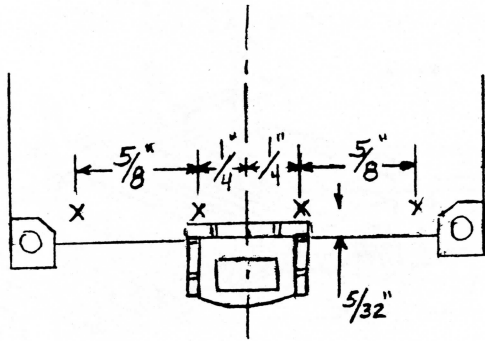
#9. Glue a 3/32" x 5/32" x 3/8" (cut from excess strip length) as shown in Dia. #2 with X above cylinder. Glue (Goo) 'K' type cylinder with cylinder end toward brake wheel end of car.



#10. Drill #76 hole into the four poling pockets. Glue (Goo) and pin as shown. Also mount coupler pocket as shown.

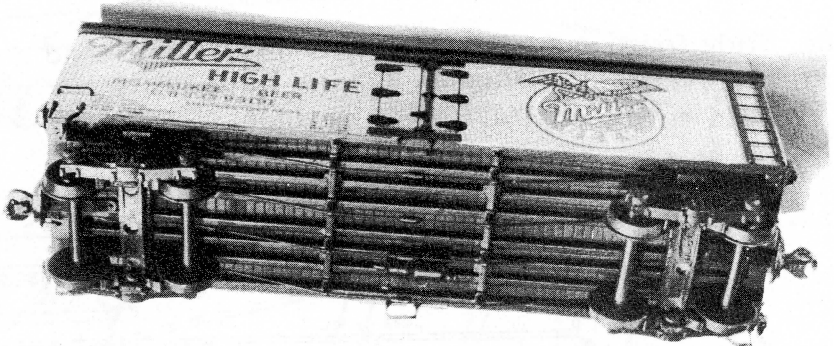


#11. Drill #53 hole as shown by X's. Cut nut and washer casting in half, mount into hole with glue (Goo).



#12. Now proceed with other instructions on car.

Scribed floor not in kit, optional



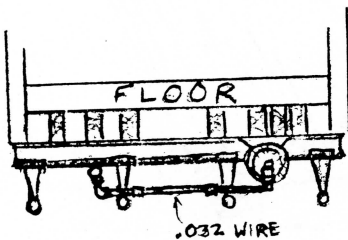
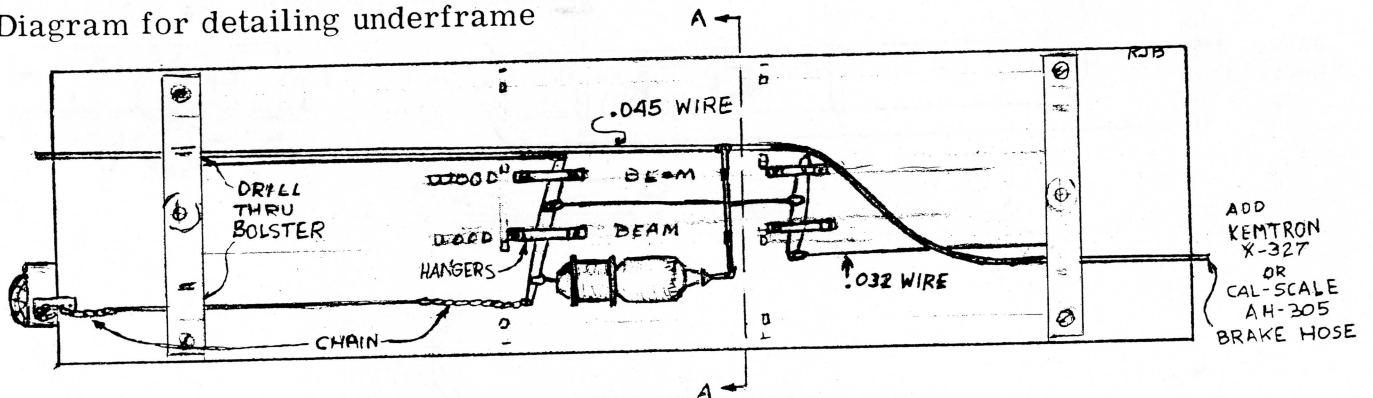
#3067

PARTS LIST

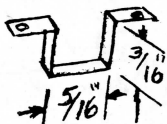
- | | |
|-------------------------------|---------------------------------|
| 2 Queenpost on I-Beam | 1 K-type cylinder |
| 4 Turnbuckle | 6 3/32" x 5/32" x 10" stripwood |
| 4 Nut & Washer casting | 4 .032 x 10" wire brass |
| 2 Coupler Pocket | 1 pr. Arch Bar trucks |
| 4 Poling Pocket (2-LH & 2-RH) | 1 Instructions |

For optional details, we suggest the below:
Parts are not included for this:

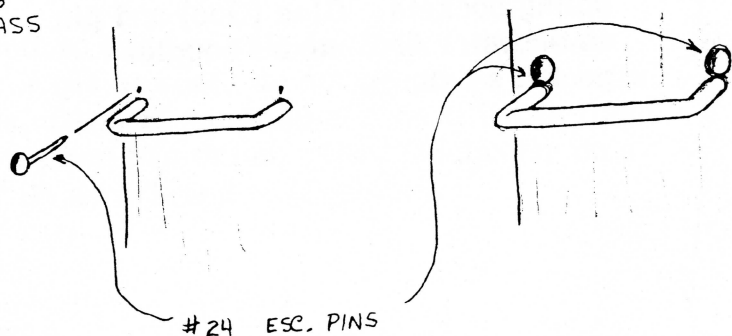
Diagram for detailing underframe



HANGERS FOR BRAKE LEVER
MAKE FOUR FROM
1/32" x 1/16"
FLAT BRASS



For the drop grab iron look



BRAKE LEVER
MADE FROM
1/32" x 3/32"
FLAT BRASS

