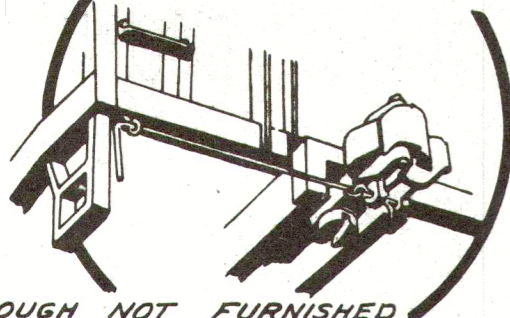


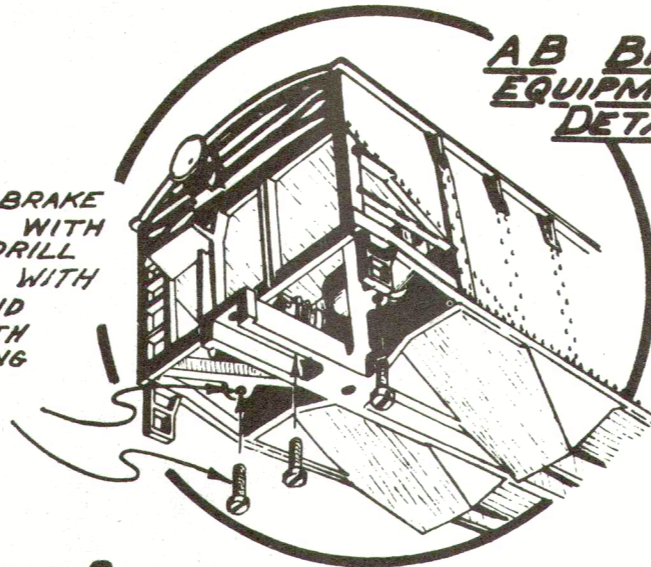
**AUTOMATIC COUPLER
DETAIL**



ALTHOUGH NOT FURNISHED IN KIT, AUTOMATIC COUPLERS MAY BE ADDED AS SHOWN.

CRUSHED COAL BONDED BY SHELLAC

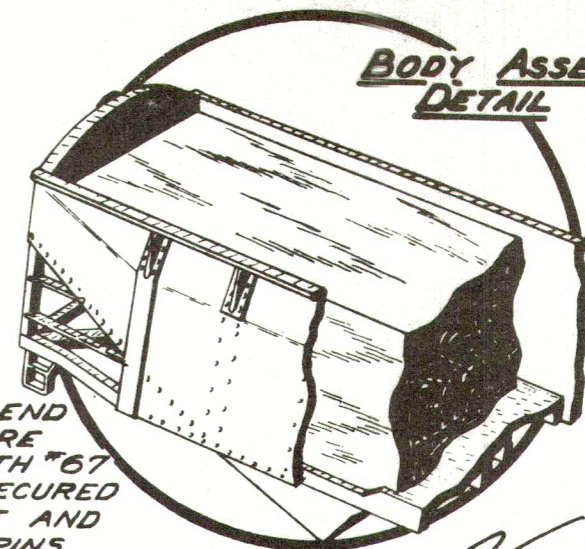
**AB BRAKE
EQUIPMENT
DETAIL**



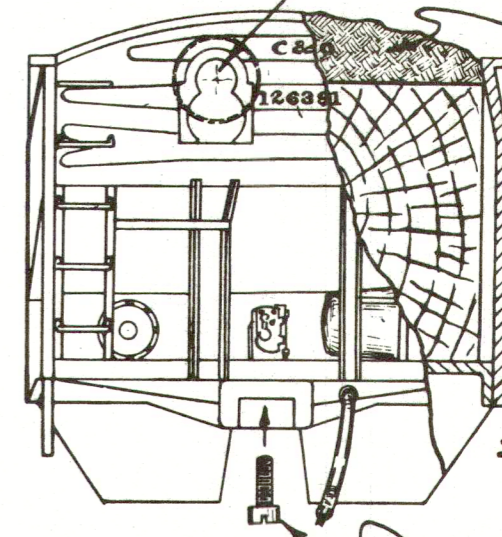
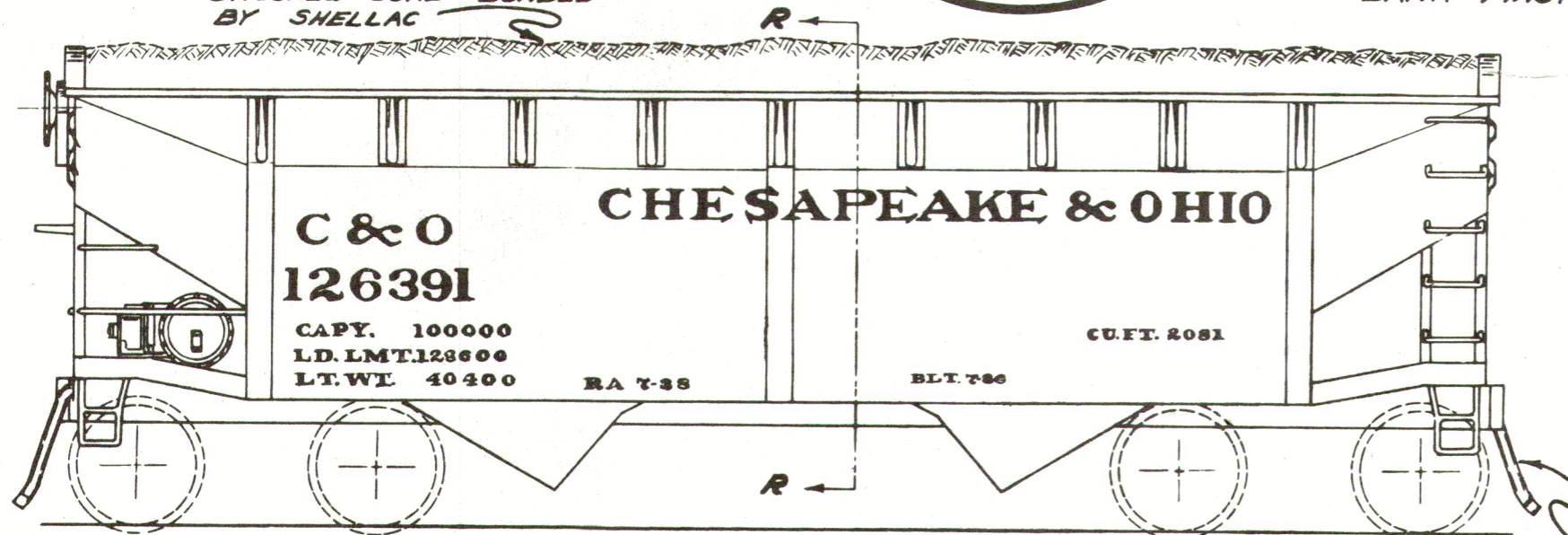
DRILL AB BRAKE EQUIPMENT WITH #47 DRILL. DRILL UNDERFRAME WITH #41 DRILL AND ATTACH WITH SELF TAPPING SCREWS.

SIDE AND END CASTINGS ARE DRILLED WITH #67 DRILL AND SECURED WITH CEMENT AND BANK PINS.

**BODY ASSEMBLY
DETAIL**



DRILL #67. FASTEN BRAKE WHEEL WITH COMMON PIN.



LETTERING PLACED ON CENTER ON OPPOSITE END.

**SECTION
R-R**

CONSTRUCTION NOTES:

File the castings lightly and carefully where necessary. Keep the corners sharp and square. First fasten the AB brake equipment to the underframe. Drill the brake cylinder, the air reservoir and the triple valve with a No. 47 drill. Drill the underframe with a No. 41 drill at the spotted positions, and fasten the brake equipment with $\frac{1}{4}$ " self tapping screws as shown in the detail. Next fasten the underframe casting to the wood body block. This is done by drilling No. 67 holes and securing with cement and bank pins. Attach the sides

and then the ends in the same manner. Fasten the bottom of the end casting by drilling at the spotted positions (the second from each end). Drill through both the underframe and the lug on the end casting with No. 47 drill. Insert a $\frac{1}{4}$ " self tapping screw. Attach the couplers with $\frac{1}{4}$ " self tapping screws and the trucks with $\frac{3}{8}$ " self tapping screws. Drill a No. 47 hole for the self tapping screws. Fasten the brake wheel with a common pin inserted into a No. 67 hole.

The entire car is given two coats of black paint. A realistic look can be obtained by crushing a piece of coal with a hammer until reduced to scale size. Mix with shellac and pile on the car. It is advisable to add the coal before painting.

AIR HOSES ARE BENT FROM $\frac{1}{8}$ " DIA. REED AND FORCED INTO #52 HOLE.

SELF TAPPING SCREW TO SECURE BOTTOM OF END CASTING TO UNDERFRAME.

MEGOW'S  MODELS

C & O HOPPER

SCALE $\frac{1}{4}$ " = 1' 0"

DRAWING - FULL SIZE

Fred C. Tuxworth