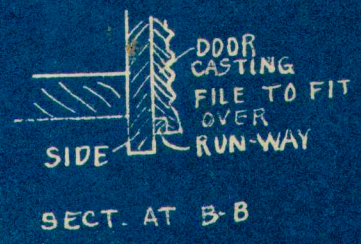
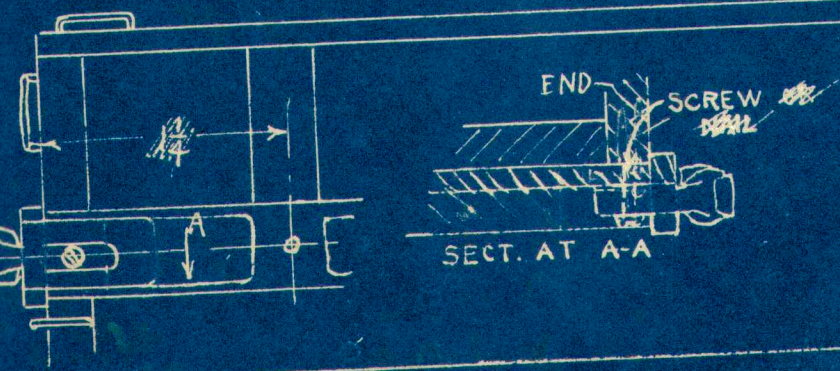
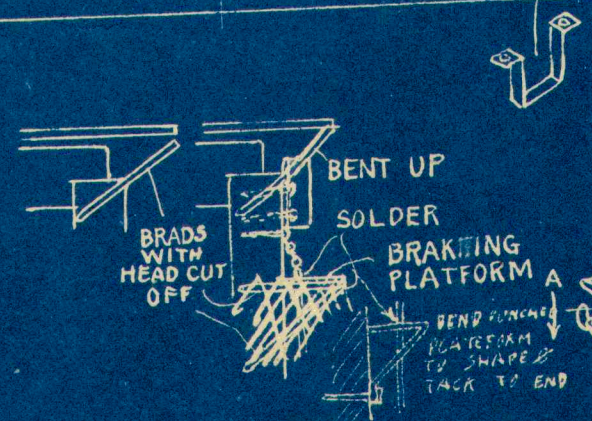
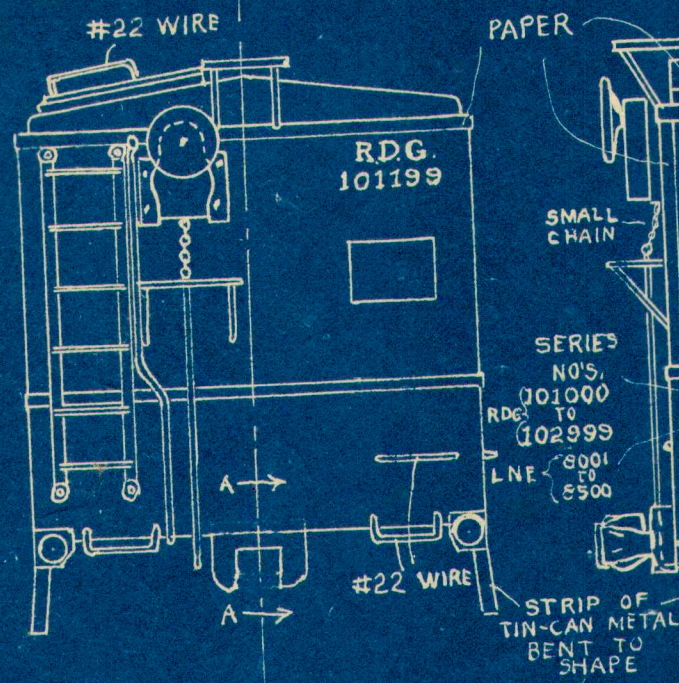
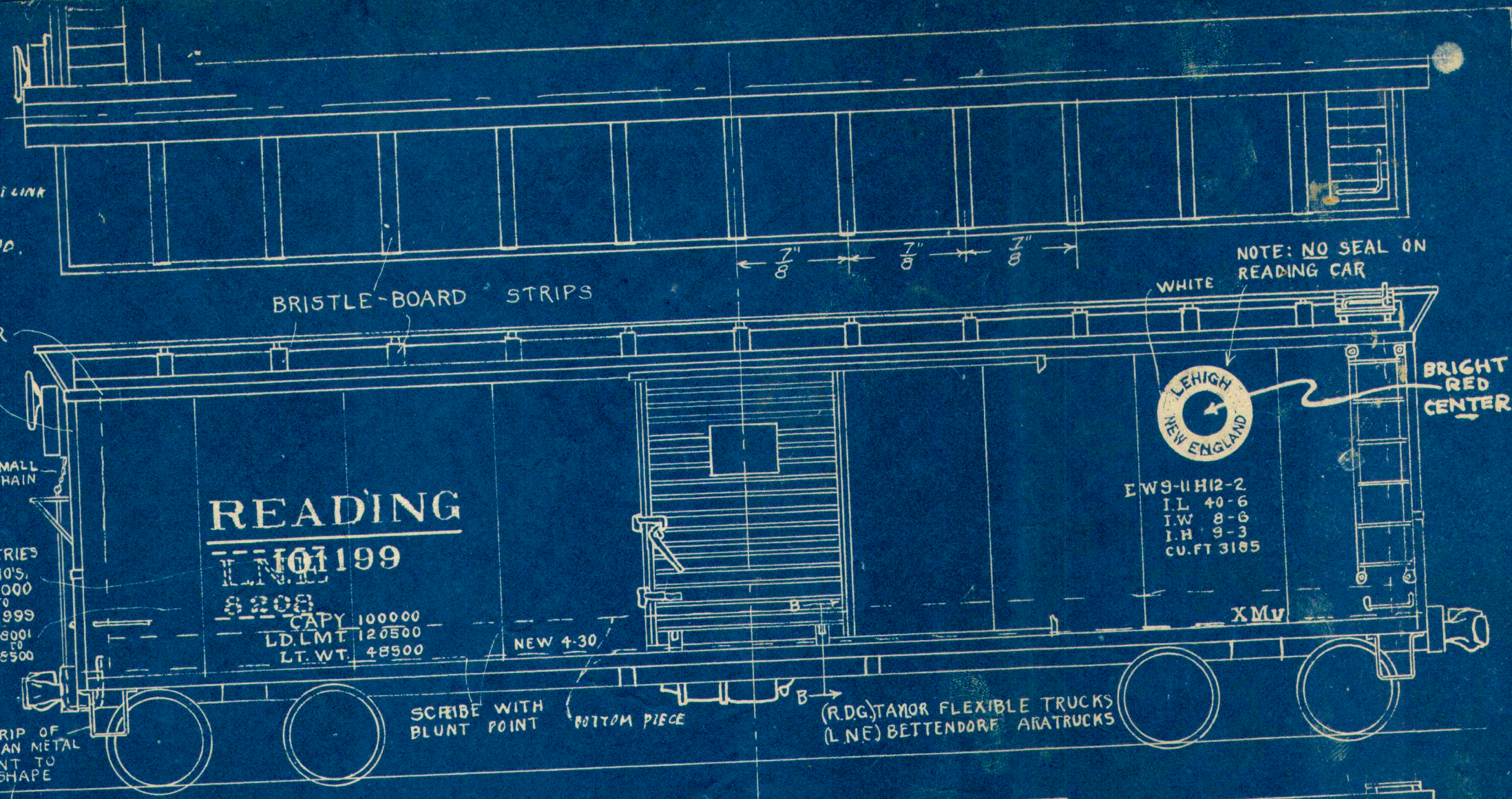


PIN  
BRAD THROUGH LAST LINK  
SOLDER CHAIN TO  
END OF BRAKE ROD.



1/4" SCALE RDG. OR LNE.  
DOUBLE SHEATHED BOX CAR  
SCALE MODEL RAILWAYS  
BY WM. J. LENOIR

S M R