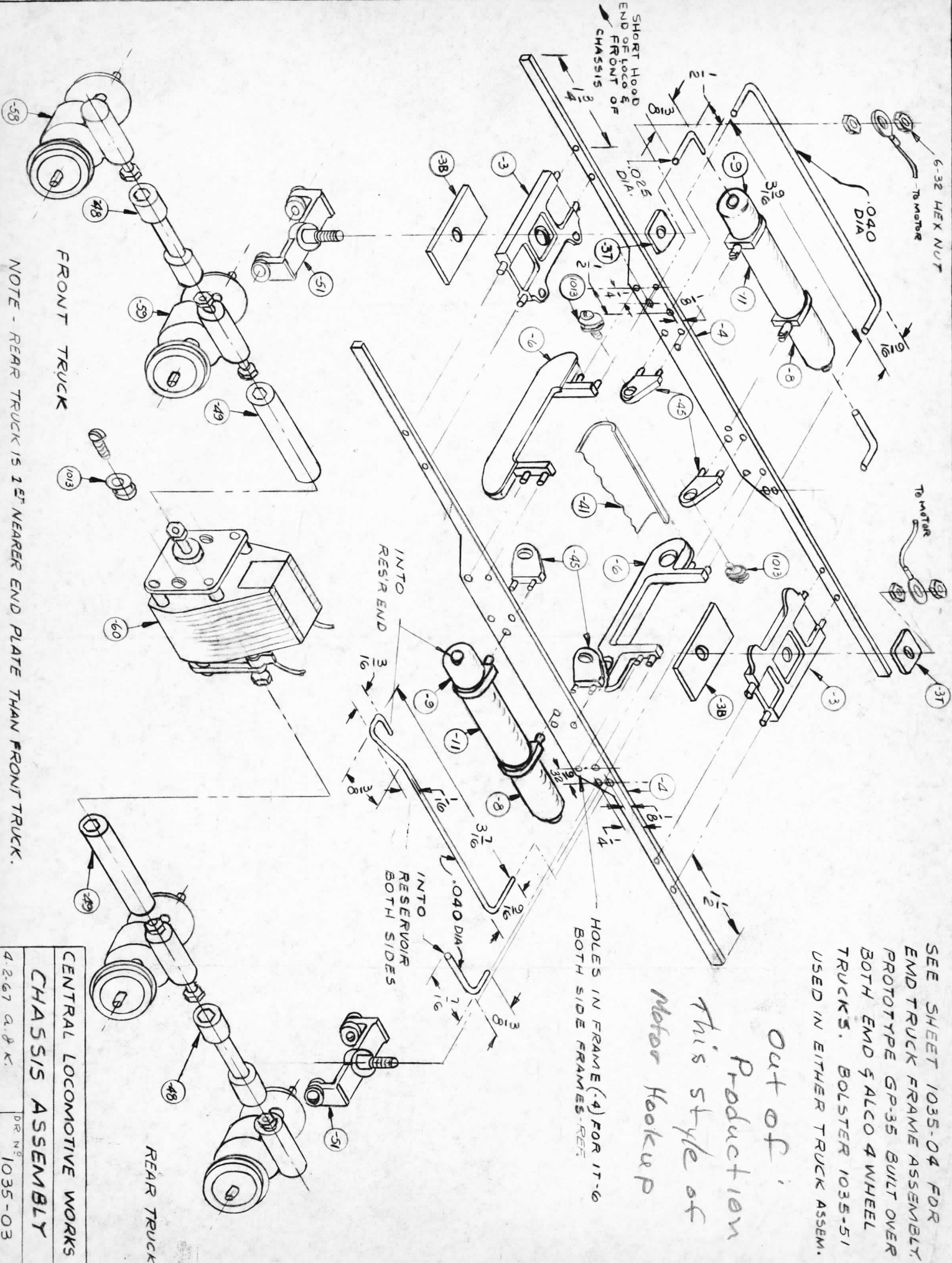


CENTRAL LOCOMOTIVE WORKS
 CARBODY ASSEMBLY
 4-14-1967 a.p.k.
 DR. No 1035-02



6-32 HEX NUT
To Motor

To Motor

FRONT TRUCK

REAR TRUCK

NOTE - REAR TRUCK IS 1/2" NEARER END PLATE THAN FRONT TRUCK.

HOLES IN FRAME (.4) FOR 17-6
BOTH SIDE FRAMES-REF

Out of
Production
this style of
Motor Hookup

SEE SHEET 1035-04 FOR
END TRUCK FRAME ASSEMBLY
PROTOTYPE GP-35 BUILT OVER
BOTH EMD & ALCO 4 WHEEL
TRUCKS. BOLSTER 1035-51
USED IN EITHER TRUCK ASSEM.

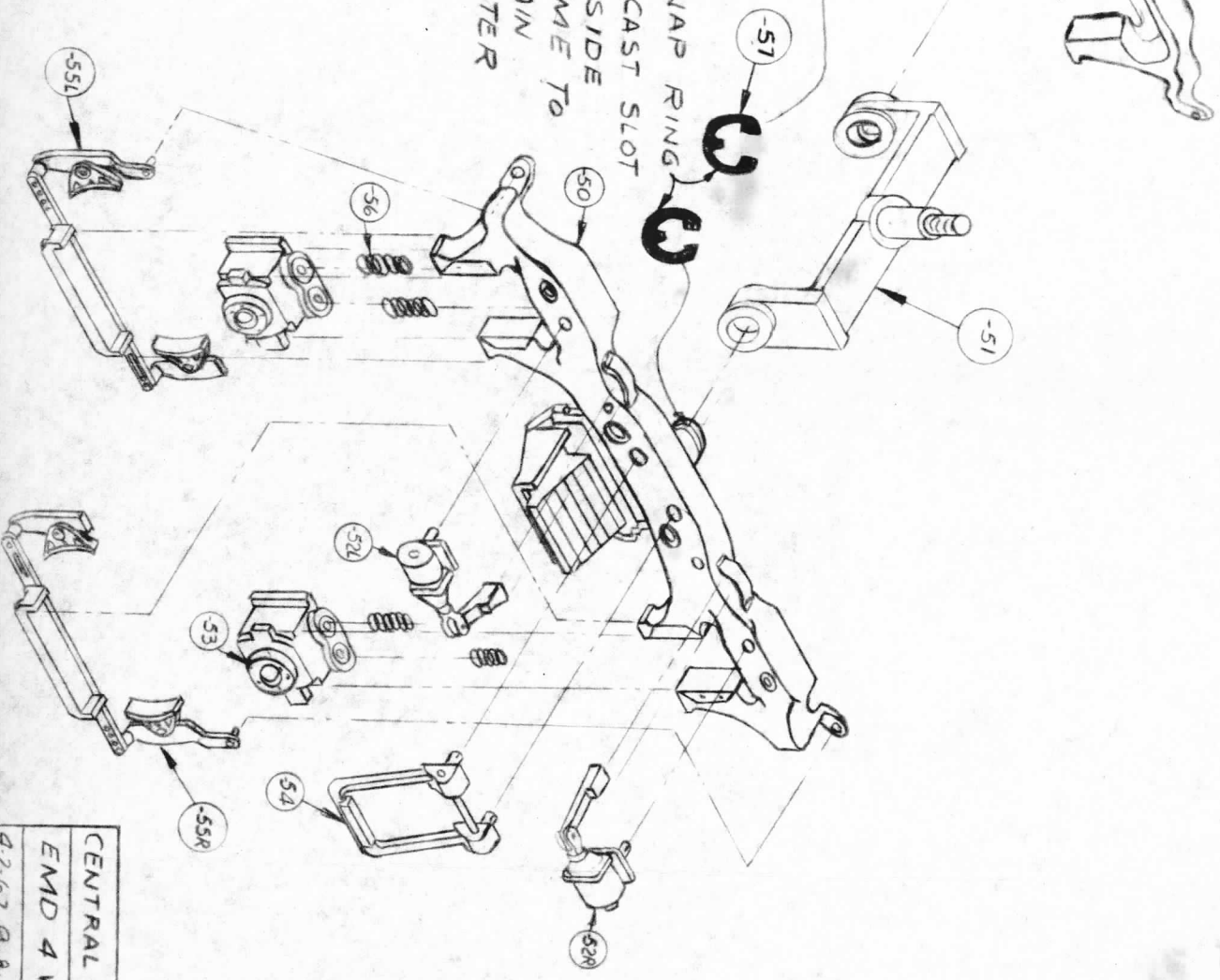
CENTRAL LOCOMOTIVE WORKS

CHASSIS ASSEMBLY

4-2-67 A.B.K. DR N° 1035-03

BRAKE SHOE
LEVER SOLDERED
BEHIND TAB ON
TRUCK FRAME

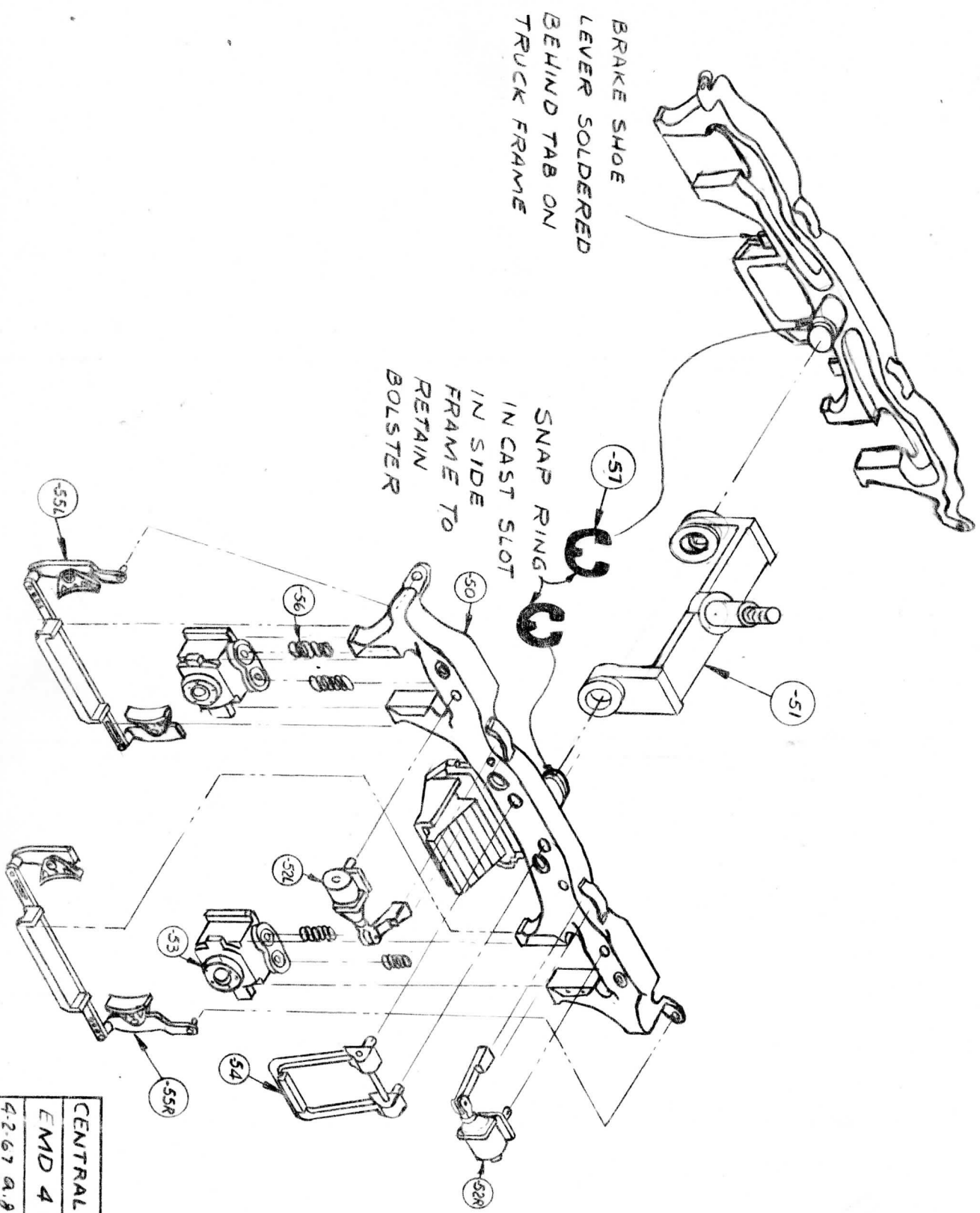
SNAP RING
IN CAST SLOT
IN SIDE
FRAME TO
RETAIN
BOLSTER



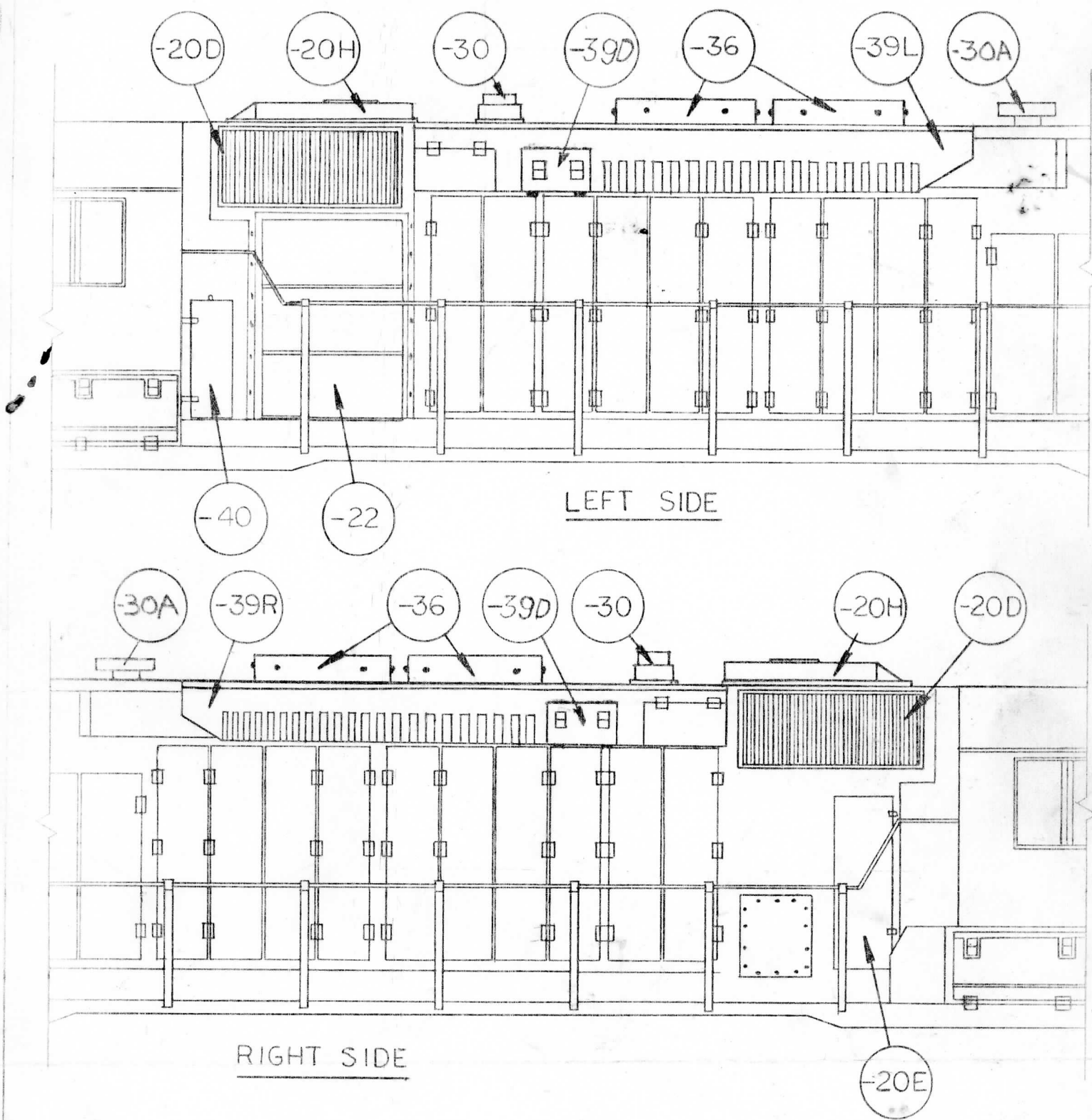
CENTRAL LOCOMOTIVE WORKS
EMD 4 WHEEL TRK. ASM.
4-2-67 A.8.K. PR. N^o 1035-04

BRAKE SHOE
 LEVER SOLDERED
 BEHIND TAB ON
 TRUCK FRAME

SNAP RING
 IN CAST SLOT
 IN SIDE
 FRAME TO
 RETAIN
 BOLSTER



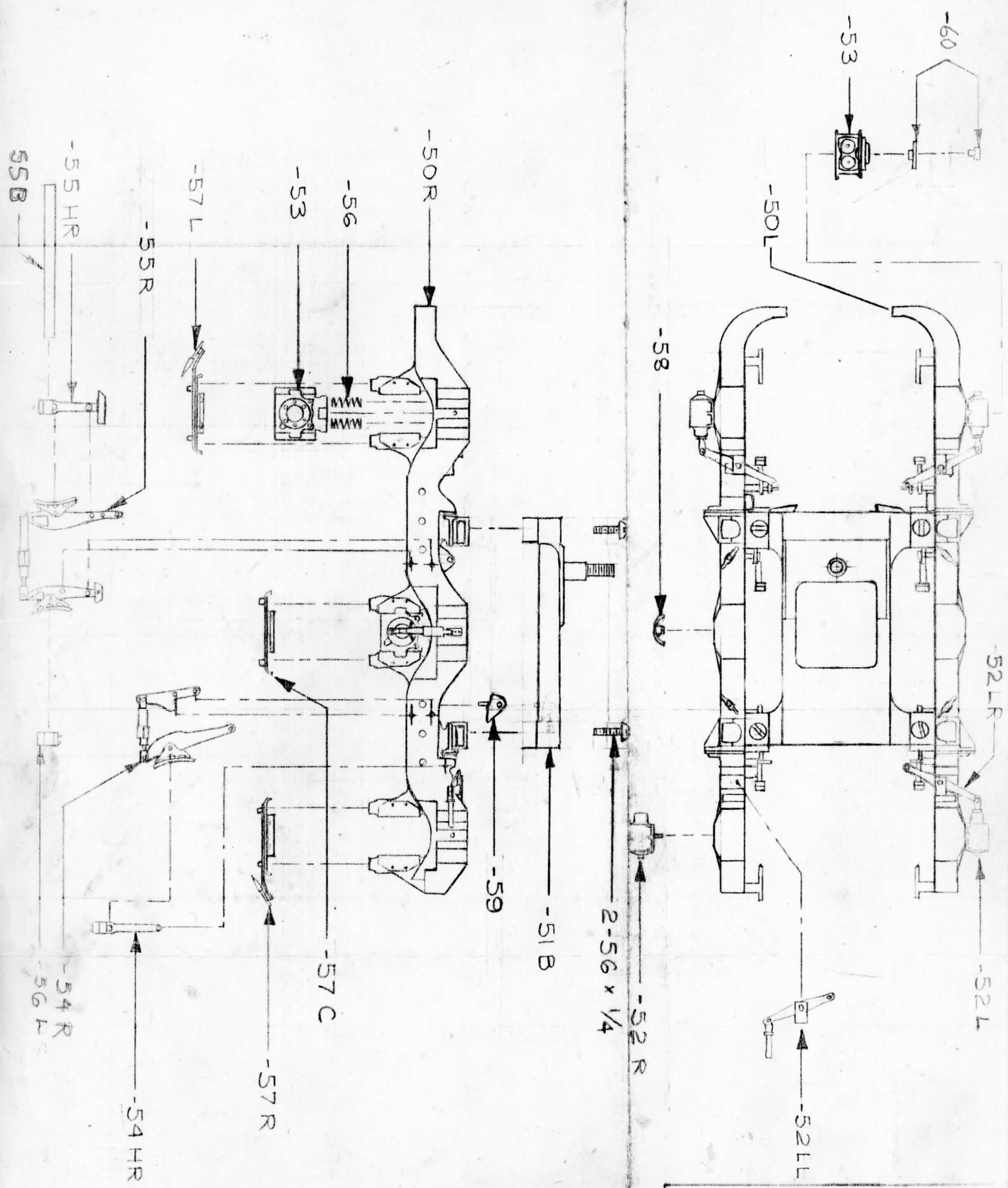
CENTRAL LOCOMOTIVE WORKS
 EMD 4 WHEEL TRK. ASM.
 4-2-67 A.J.K.
 DR N^o 1035-04



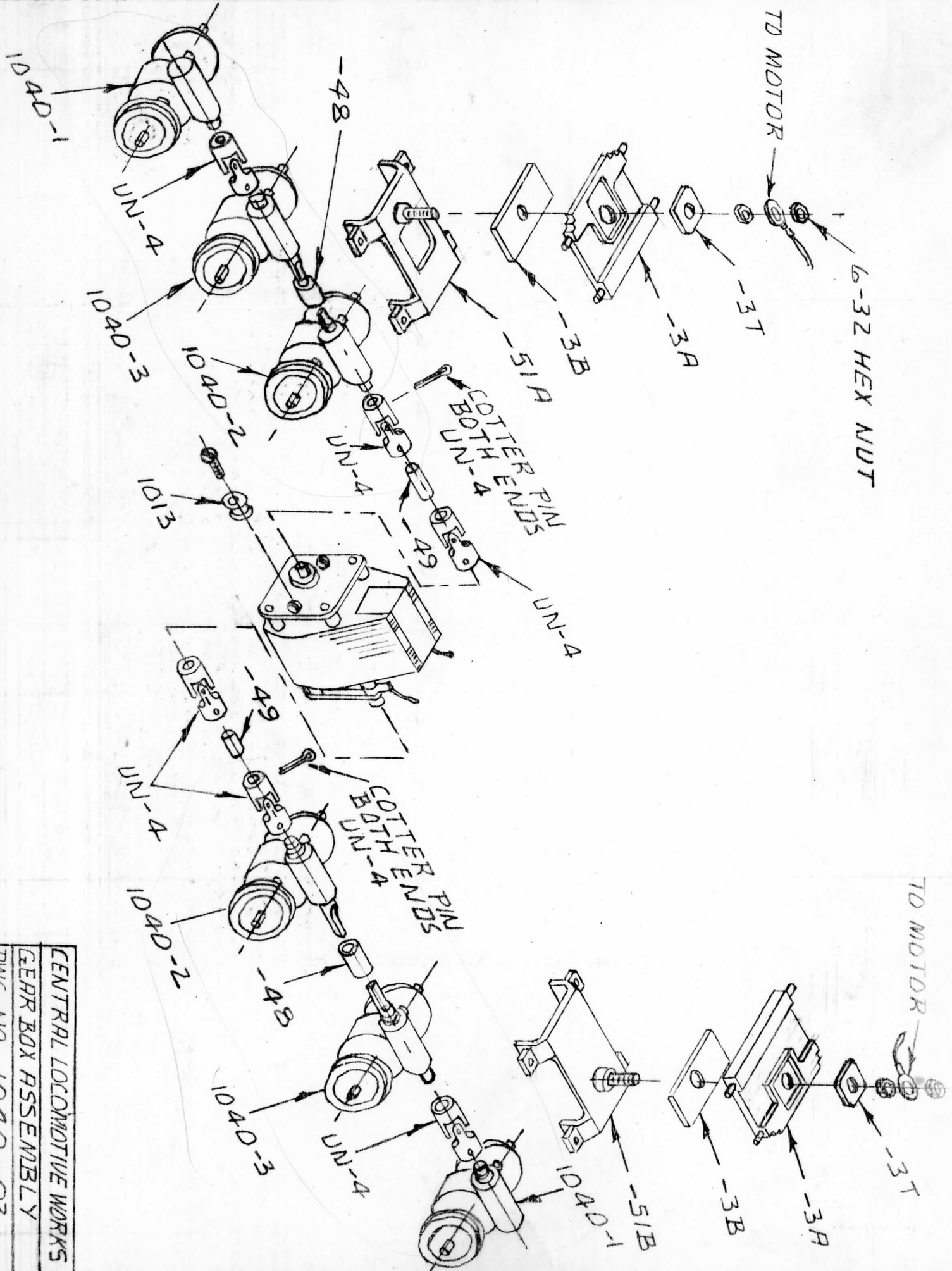
LEFT SIDE

RIGHT SIDE

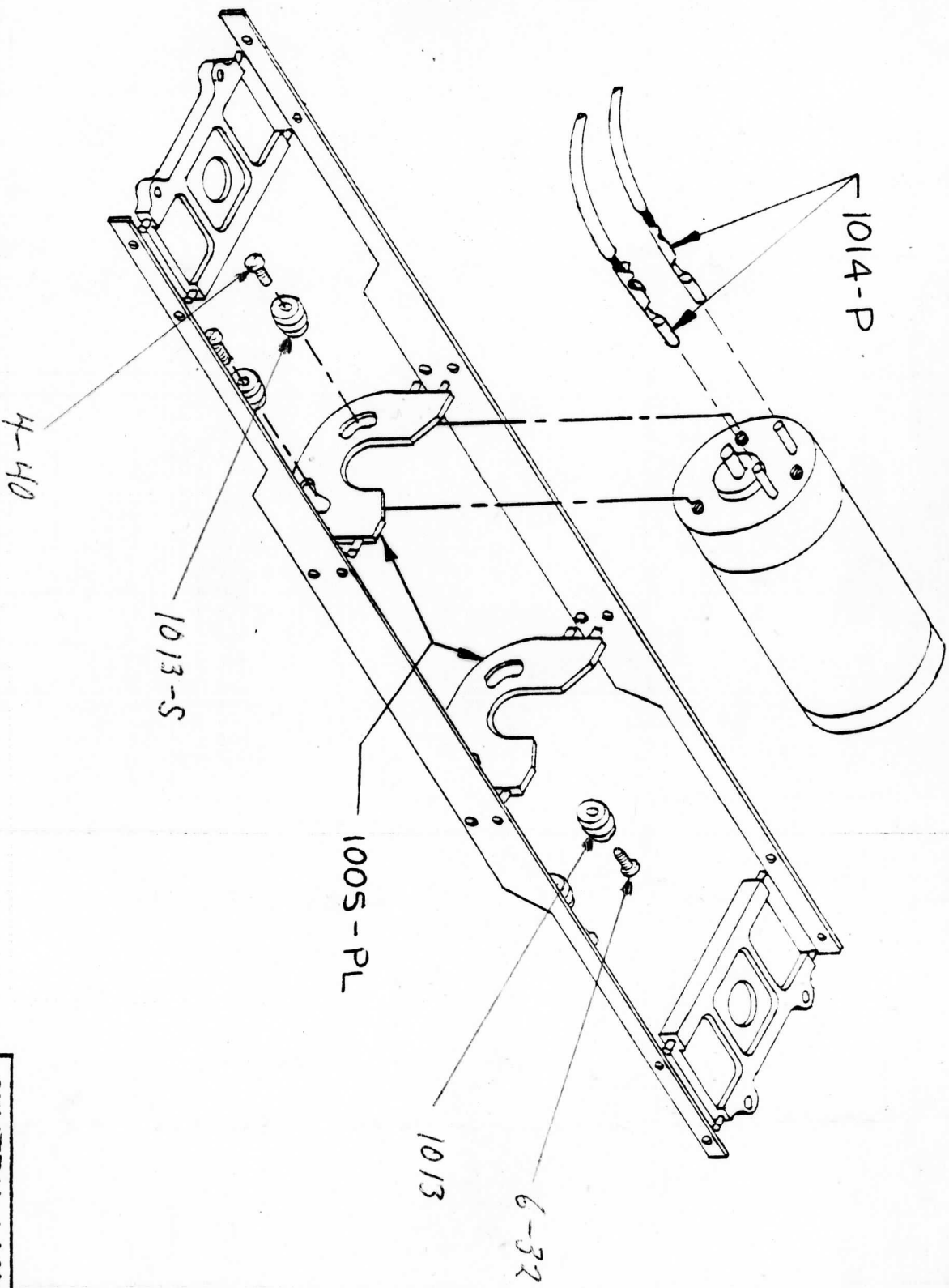
CENTRAL LOCOMOTIVE WORKS	
CARBODY CENTER SECTION	
DWG. NO. 1045-38	



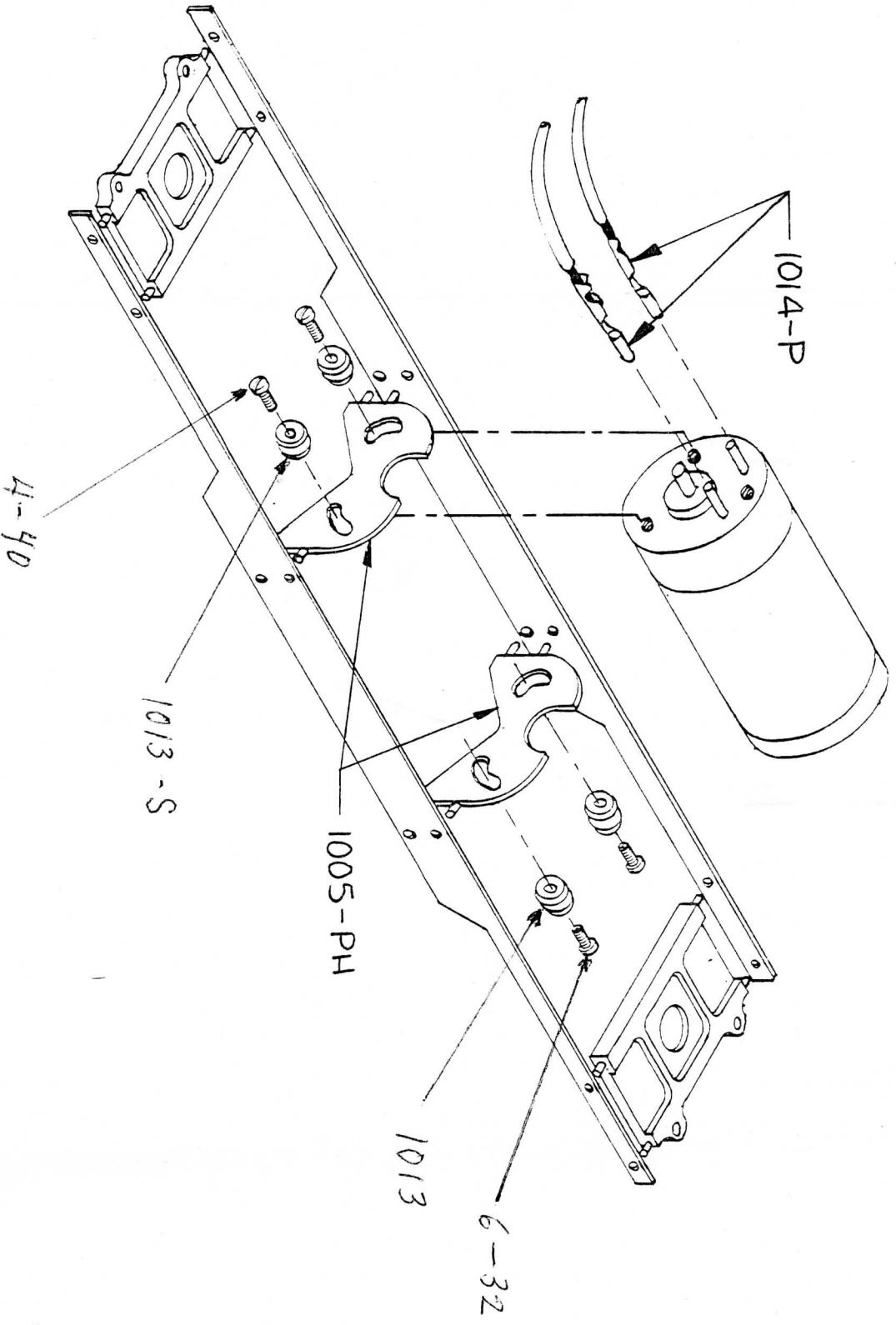
CENTRAL LOCOMOTIVE WORKS
 SD-45-2 TRUCK ASSEMBLY
 Dwg. No. 45-04



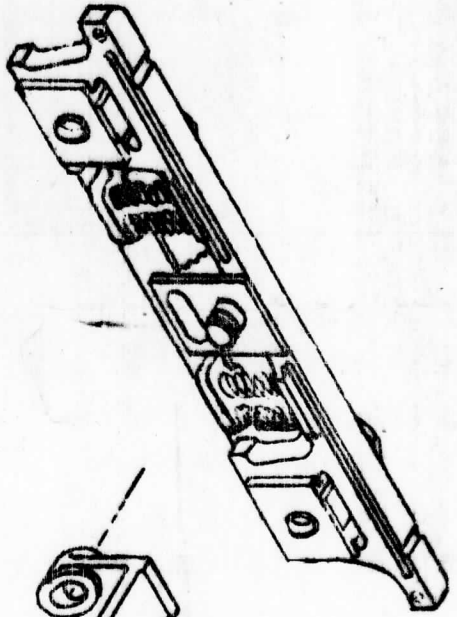
CENTRAL LOCOMOTIVE WORKS
 GEAR BOX ASSEMBLY
 DWG NO. 1040-03



CENTRAL LOCOMOTIVE WORKS
LOW MOUNT INSTL
PITTMAN MOTOR
RLA 6/25/83
OWG No. 1005-PLM



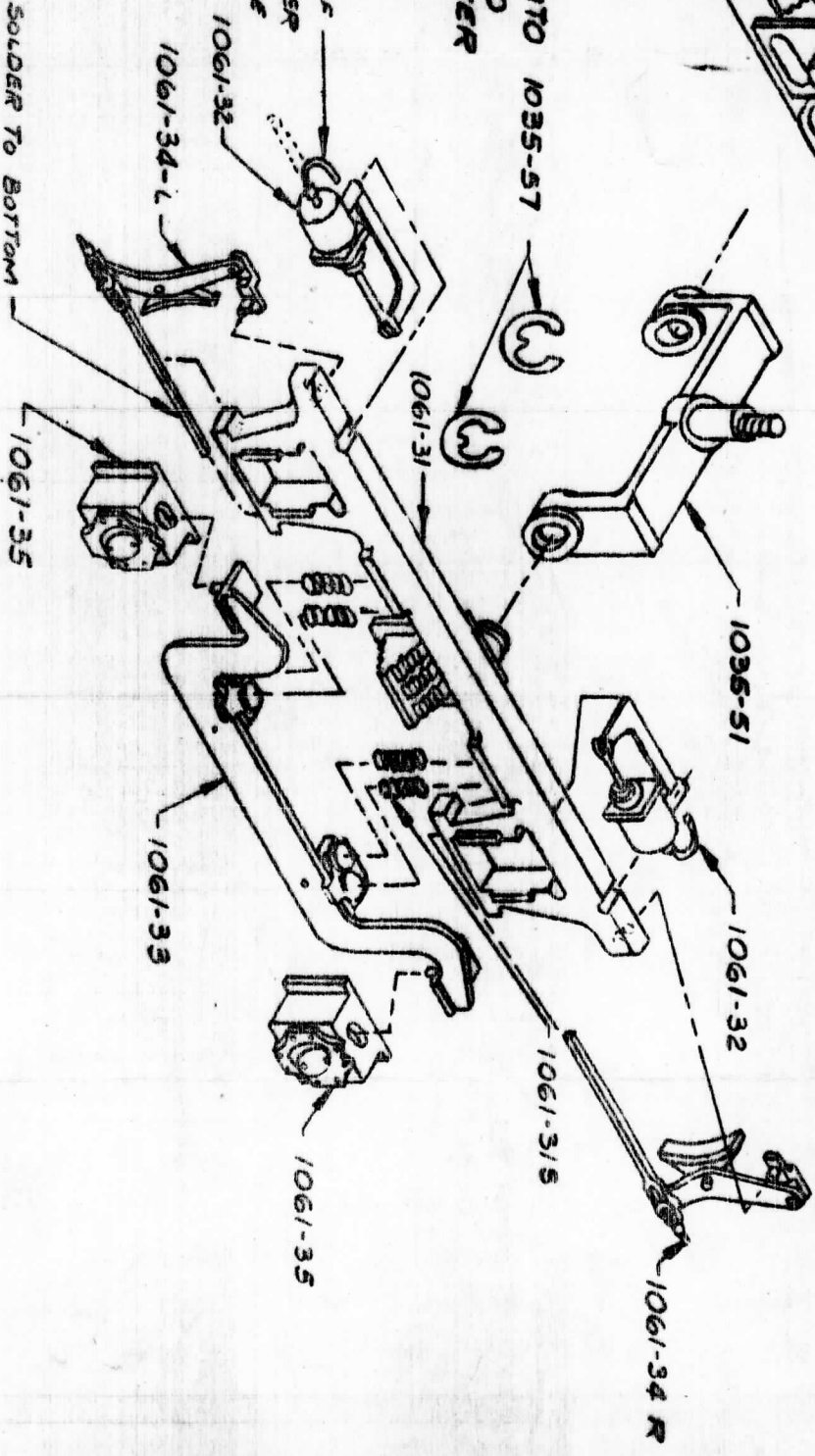
CENTRAL LOCOMOTIVE WORKS
 HIGH MOUNT INST'L
 PITTMAN MOTOR
 RLn 6/25/83 DWG No. 1005-PHM



SNAP RING INTO 1035-57
CAST SLOTS TO
RETAIN BOLSTER

BEND IN HALF
CIRCLE & SOLDER
TO TRK FRAME

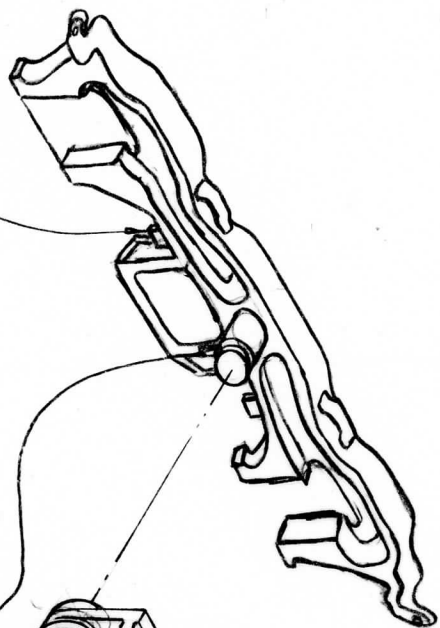
SOLDER TO BOTTOM
OF TRK FRAME - CHECK
THAT SHOE DOES NOT
TOUCH WHEEL



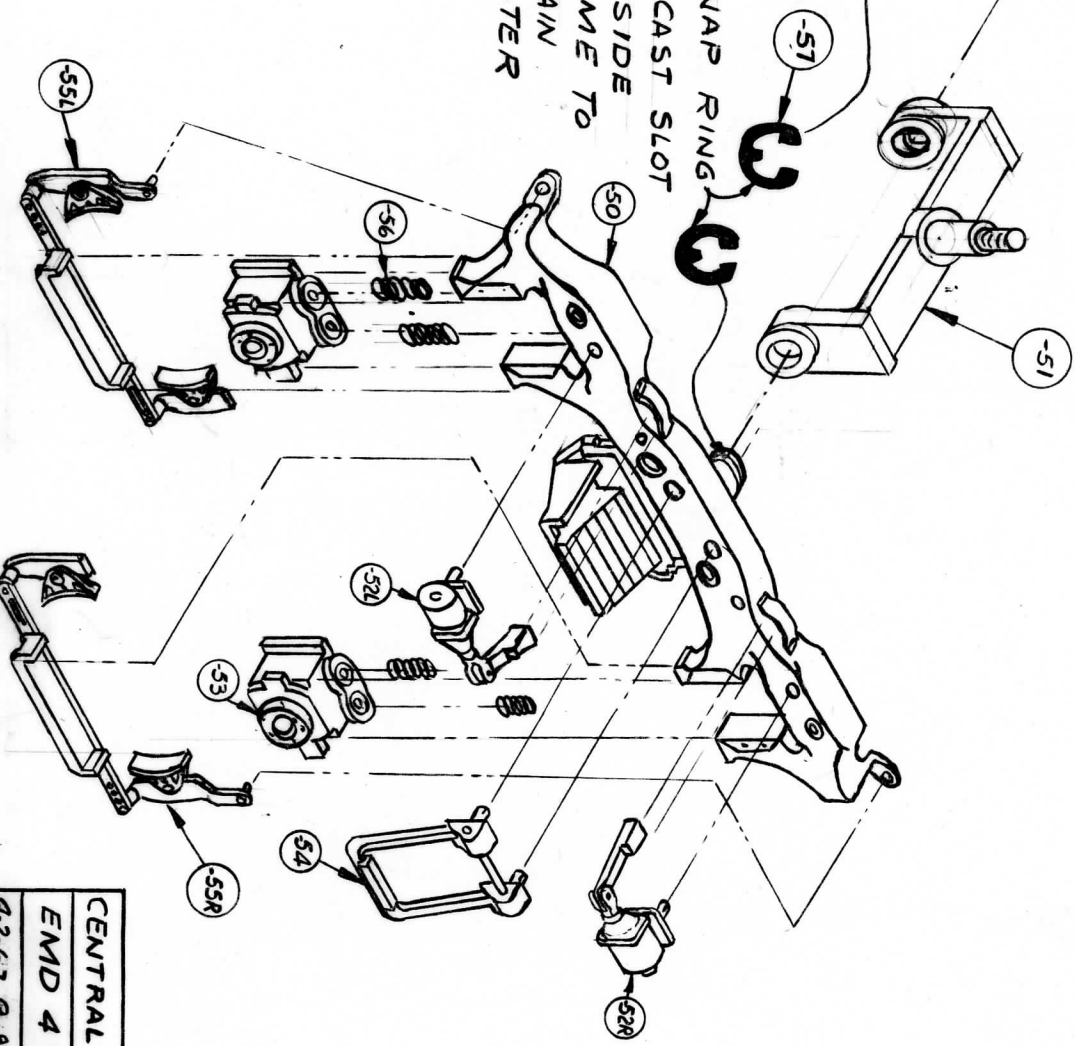
- ASSEMBLY STEPS**
1. SOLDER BRAKE SHOES 1061-34 R & L & BRAKE CYLINDERS 1061-32 TO SIDE FRAMES 1061-31
 2. INSERT JOURNAL BOXES 1061-35 INTO FRAME FROM BACK SIDE
 3. INSTALL EQUALIZER BAR 1061-31 INSERTING PINS INTO JOURNAL BOX HOLES
 4. INSTALL SPRINGS BETWEEN TRUCK FRAME AND EQUALIZER BAR
 5. ASSEMBLY TRUCK FRAMES TO BOLSTER AND RETAIN WITH SNAP RING 1035-57 AFTER WHEELS ARE IN PLACE

CENTRAL LOCOMOTIVE WORKS	
ALCO 4 WHEEL TRUCK	
DESIGN NO.	1061-31K
DATE	5-1-68

BRAKE SHOE
LEVER SOLDERED
BEHIND TAB ON
TRUCK FRAME



SNAP RING
IN CAST SLOT
IN SIDE
FRAME TO
RETAIN
BOLSTER



CENTRAL LOCOMOTIVE WORKS
EMD 4 WHEEL TRK. ASM.
4-2-67 A.B.K. DR. N^o 1035-04

