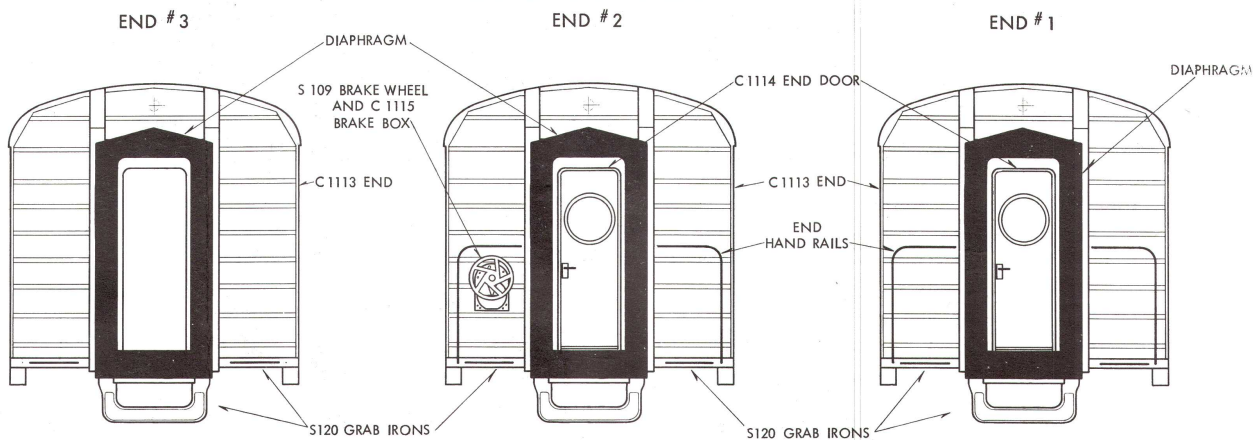
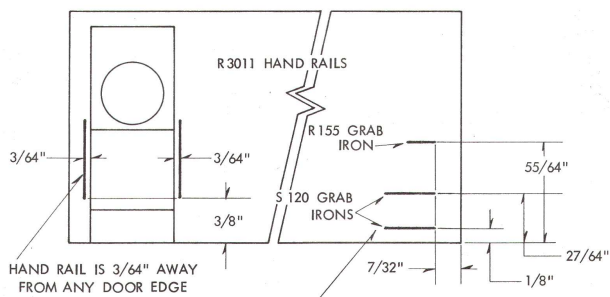


END, STEP AND HAND RAIL LAYOUTS

ALL LAYOUTS ARE SHOWN FULL SIZE

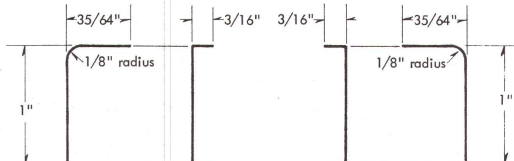


SIDE HAND RAIL AND GRAB IRON PLACEMENTS

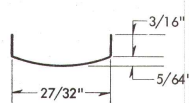


END HAND RAIL BENDING LAYOUT

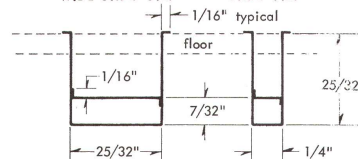
MAKE ALL GRAB IRONS FROM .020" WIRE



SKYTOP END HAND RAIL



WIDE STRAP STEP



4882 EXPRESS CARS 1330-1336

