

PAINTING & LETTERING

	Original 1928-38	Greenliner 1939-49	1950-	Silv.liner 1950-
Roof	Brown	Gray	Black	Black
End, Upper	Orange	Red	Red	Red
End, Lower	Orange	Green	Green	S*
End Door, Upper	Maroon	Red	Red	Red
End Door, Lower	Maroon	RorG+	Red	S*
End Window Sash	Maroon	Gray	Red	Red
Letterboard	Maroon	Green	Red	Red
Window Band	Orange	Gray	Red	Red
Side	Orange	Green	Green	S*
Side Door	Maroon	Green	Red	R-S*
S-1 End Stripe	Maroon	none	none	—
S-2 Letterb'd stripe	none	Red	none	—
S-3 Belt Rail	Maroon	Red	Red	Red
S-4 Side Stripe	none	Red	none	—

S* Silver with shading to represent corrugations
R or G+ (Red or Green) Seen both ways.

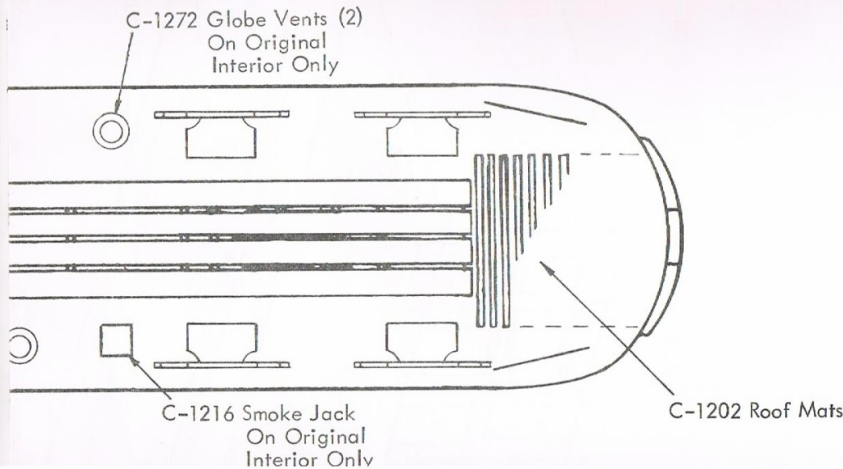
PAINT COLORS: Floquil Rock Island Maroon, Grimy Black, Reefer Orange, Reefer Gray, Caboose Red, and a special green by mixing half Dark Green and half Coach Green are a very good match for the original CNS&M paints.

WM. K. **WALTHERS** INC. **4590**
MILWAUKEE, WI 53218

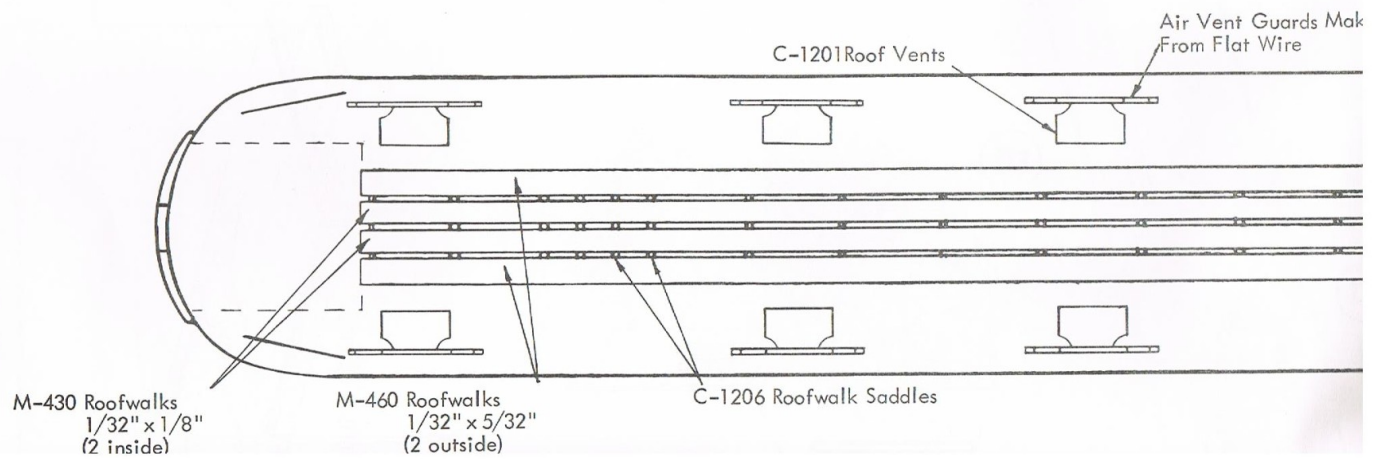
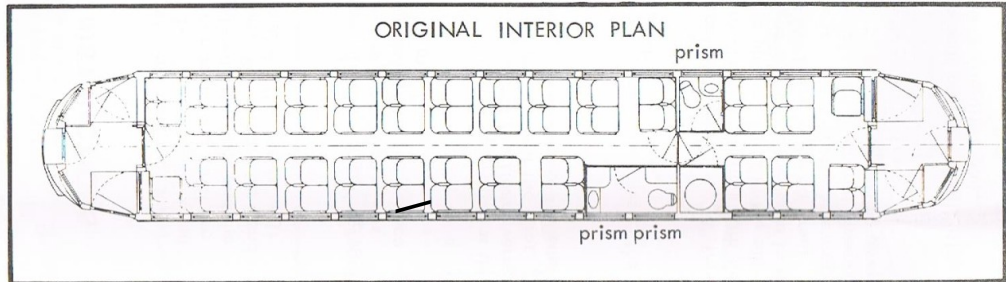
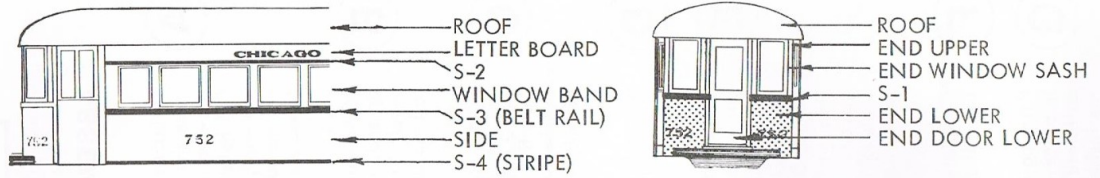
NORTH SHORE
skokie coach
series 737-751, 752-776

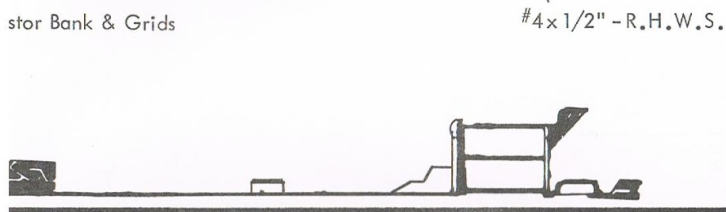
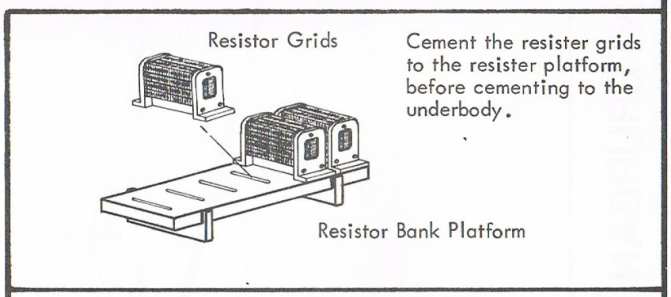
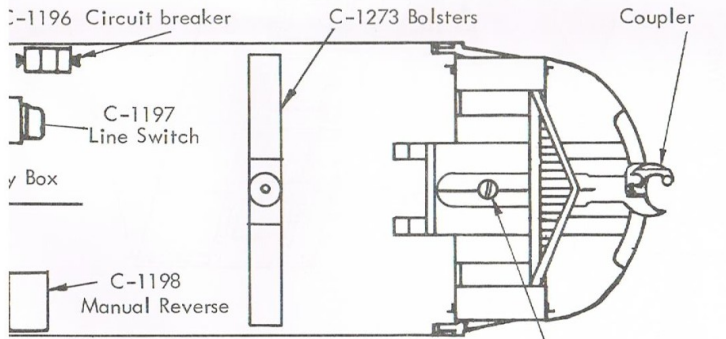
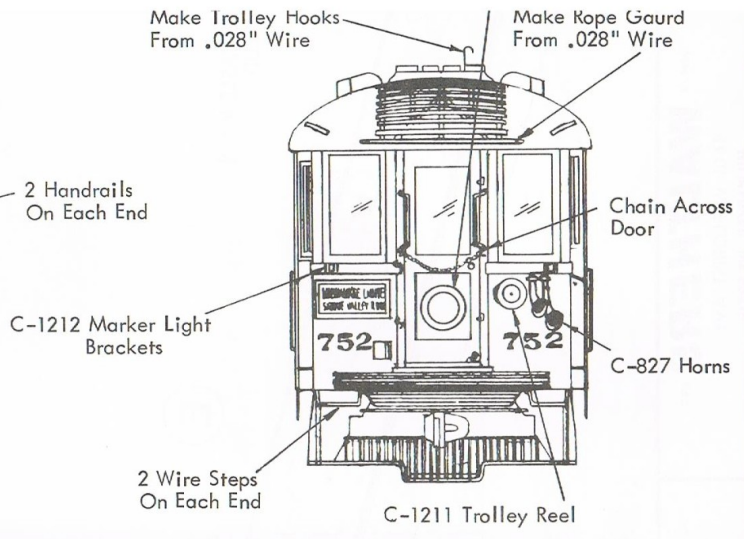
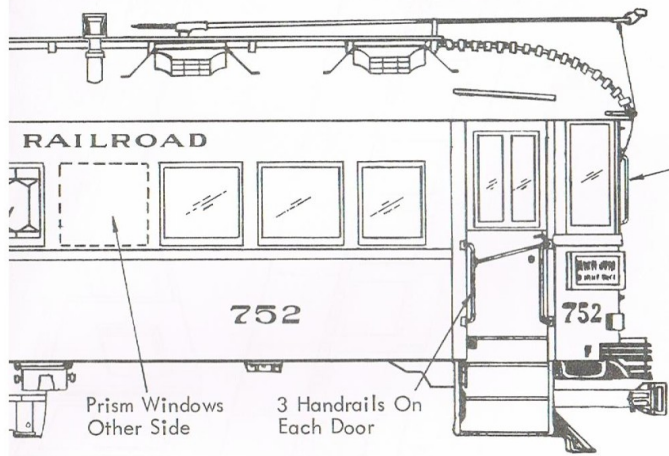
FULL SIZE "O" GAUGE
PLAN SHEET

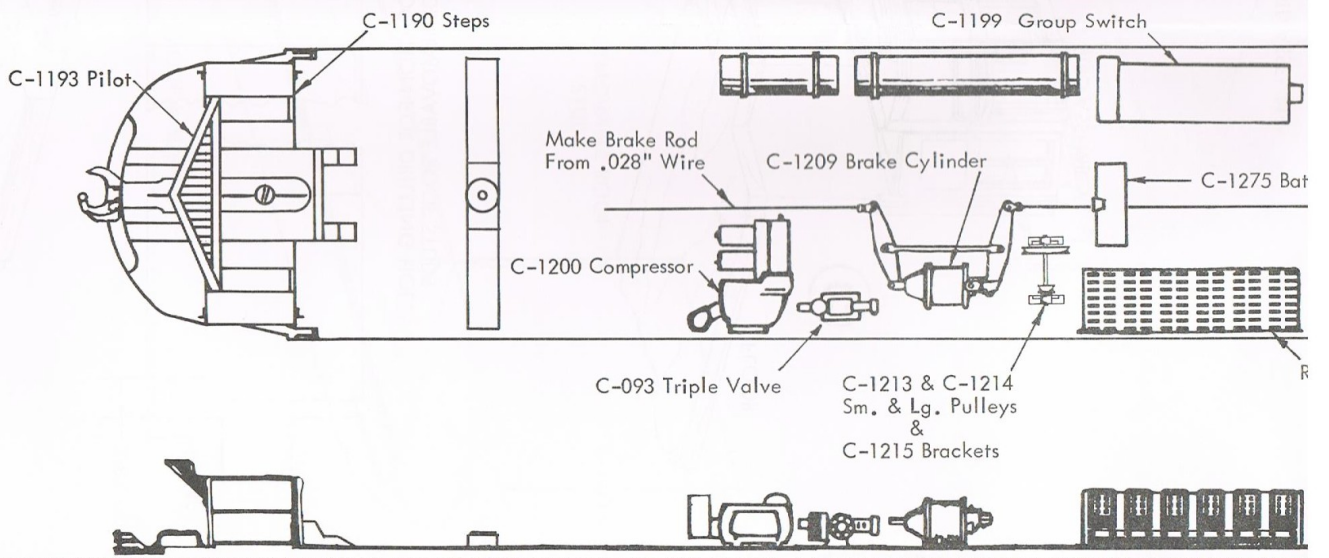
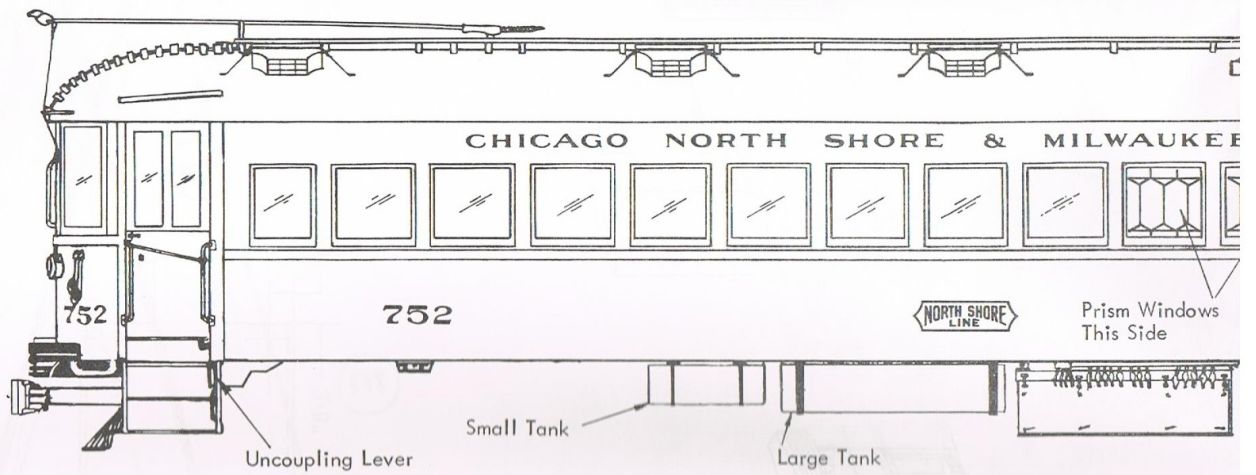
Copyright 1980
80-0801



Portable headlights were removed by motormen when not required. We suggest you install headlights on power cars only.







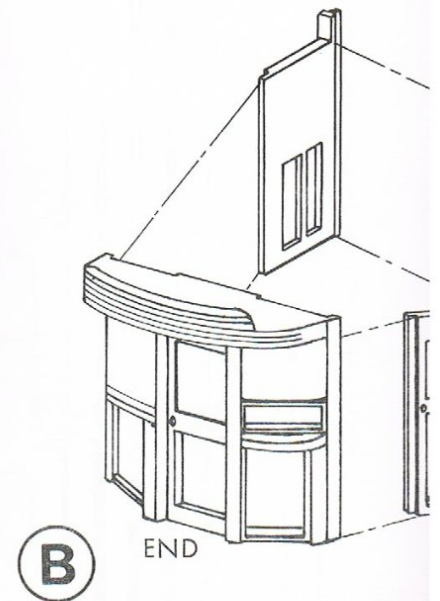
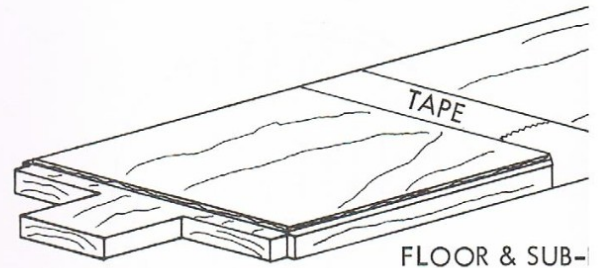
DO IT RIGHT

Follow these suggestions.

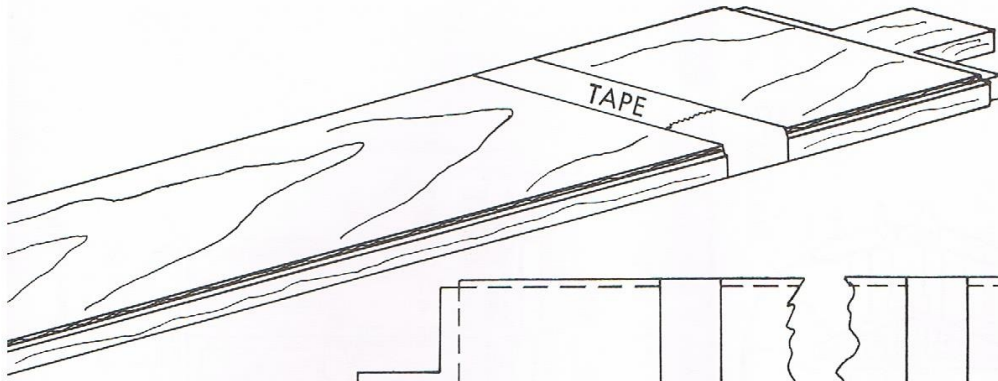
1. Read the instructions
2. Use a good cement-- one made to do the job.

ASSEMBLY INSTRUCTIONS

- A** To locate holes for removable roof studs, tape the $1/16" \times 2-1/32" \times 10-3/4"$ wood sub-roof to the floor as shown. Drill two #41 holes, through both the floor and the sub-roof, as shown. Remove the tape and set the sub-roof and the floor aside until later.
- B** Make two end assemblies by cementing together an end, two doors and a partition. This should be done top down on a flat surface to help insure a flat roof line.
- C** Cement the floor to the end assemblies as shown. Using the template, cut out two floor overlays from the .020" styrene. Cement the floor overlays to the floor, one in each of the end assemblies.
- D** Cement the coupler hangers and sides to the floor and end assemblies as shown.
- E** Cement the sub-roof to the roof $1-7/16"$ from both ends of the roof and $7/64"$ from both sides of the roof. Make sure the holes in the sub-roof are in the same corners as the holes in the floor. Drill two #50 holes in the cast roof through the holes in the sub-roof. Screw and cement the removable roof studs into these holes, leaving $1-13/16"$ of the stud extending down, enough to go through the floor.
- F** Complete the car body and roof detail using the full size plans on the other side.
- G** Painting is best done before the roof is fastened in place. After the car sides are painted, cellulose[™] window strips may be cemented to the inside of the sides. Use strips of cardboard between the cellulose and the sides to help keep the cellulose flat.

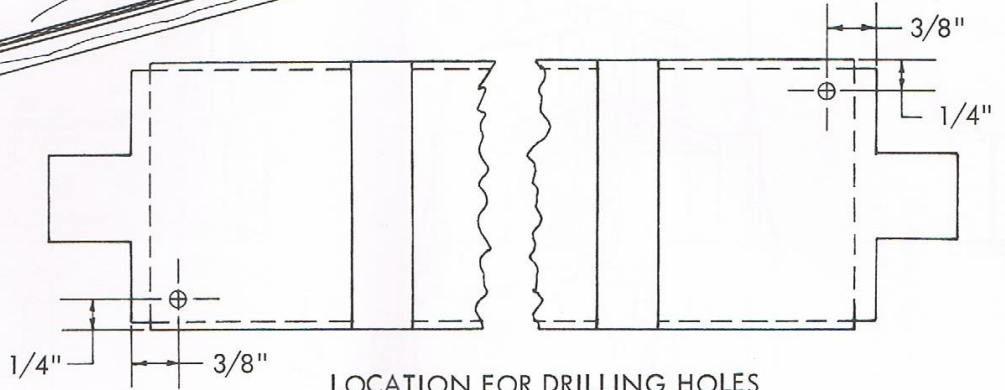


D

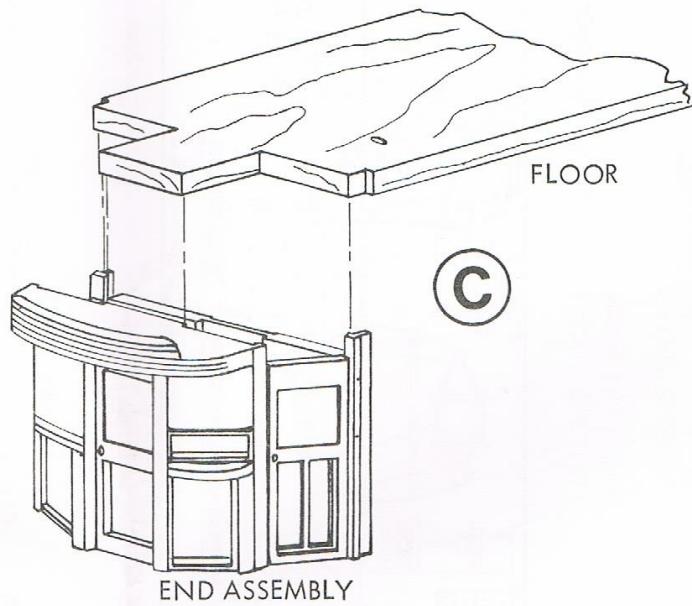
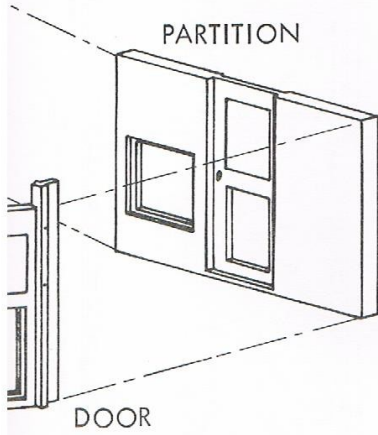


OF

A



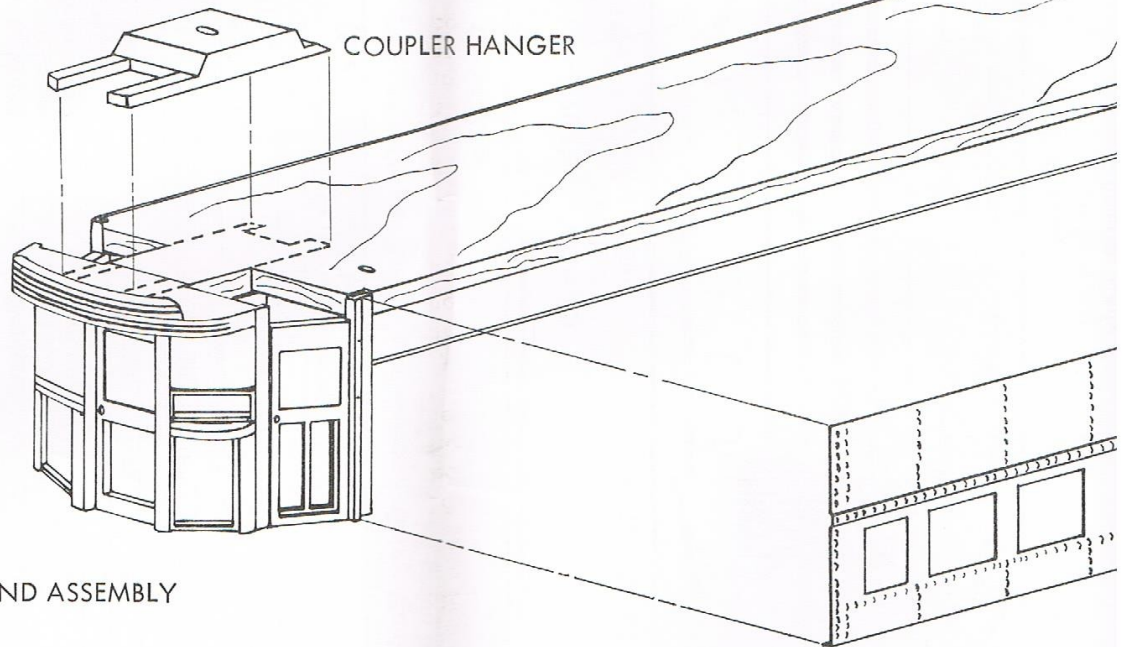
LOCATION FOR DRILLING HOLES
FOR REMOVABLE ROOF STUDS



END ASSEMBLY

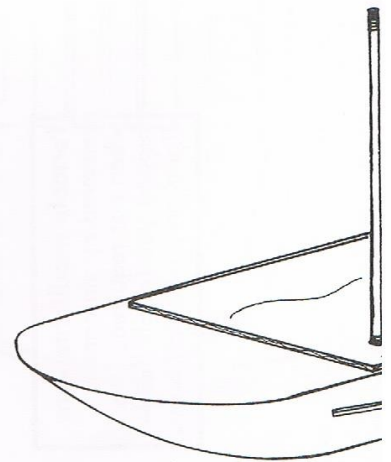
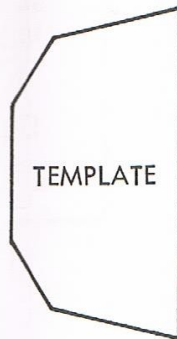
H

the studs through the floor with washers and nuts.



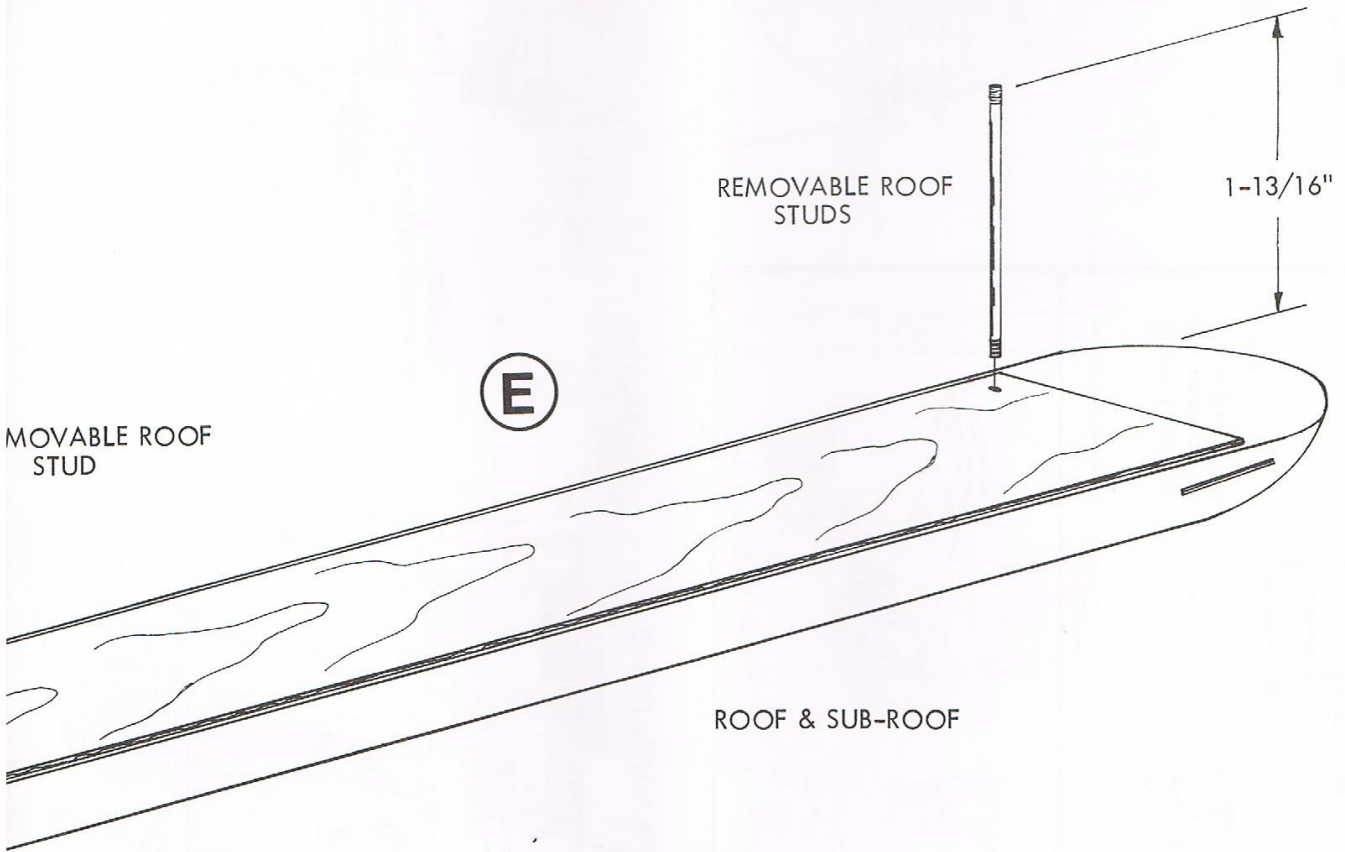
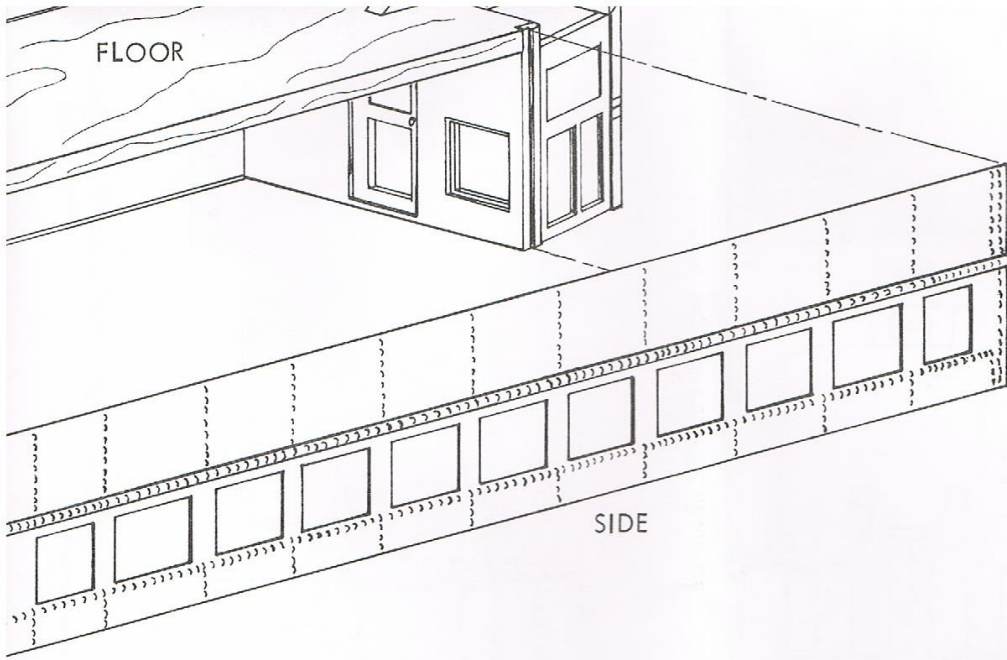
Be sure to use a good model cement. If you aren't sure how your cement will work on wood and metal, PLEASE use Walther's Goo® We know Goo® will do a fine job on these materials and the quick-setting contact action (follow directions on the tube) will be a big help to you. Don't take a chance with a fine model by using an inferior cement.

Cut out this template to make the floor overlay for the end assemblies.



Copyright 1980

80-0802



WM. K. **WALTHERS** INC.
5601 W FLORIST AVE
MILWAUKEE, WI 53218

INTERURBAN COACH